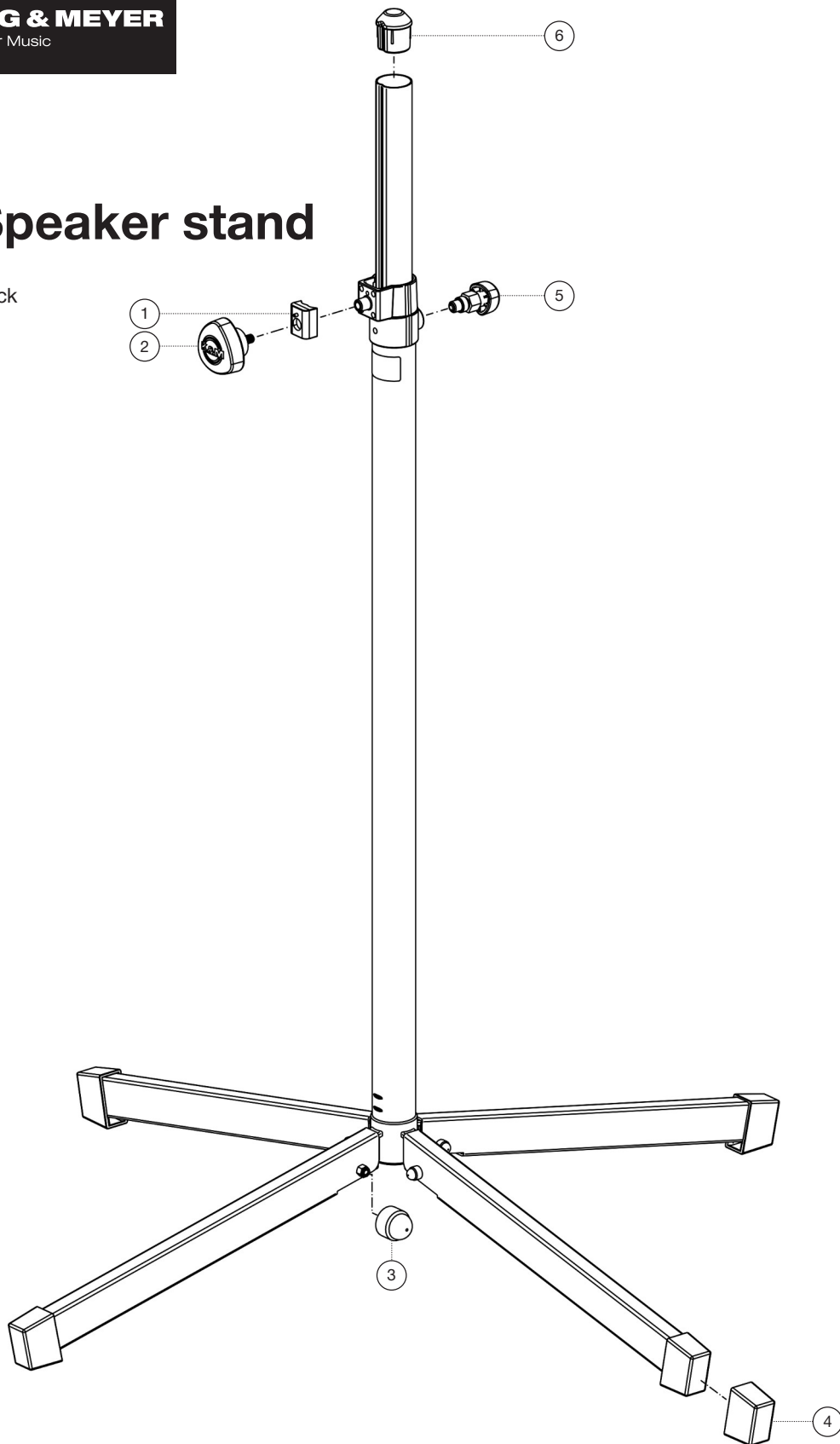


Spare parts list

19500 Speaker stand

19500-011-55 - black

*Rev 04



Position	Description	Article No.	Quantity
1	Clamping piece with pin R15 complete	6-86710-1-55	1
2	Clamping screw with logo M8 x 16/33 mm	01-82-763-55	1
3	Protective cap M6	03-20-410-55	8
4	End cap	01-84-790-55	4
5	Spring-loaded bolt complete	6-21460-5-00	1
6	Mounting aid	01-84-995-62	1